

The Domino D550+

*Extremely versatile and robust 55W scribing laser designed to provide superior quality coding at **high speed** production lines on a wide range of surfaces including demanding substrates and applications.*



Key Benefits

Versatile coding

- Marks serial numbers, batch codes, bar codes, 2D codes, realtime numbers, logos, graphics, or more complicated European and Asian characters
- Range of marking fields dependent on application

High Reliability

- Robust and reliable in the most demanding production environments
- Proven sealed-off CO₂ laser technology requires no consumables and minimum maintenance
- No hard drive needed - less moving parts for high reliability

Easy to install and integrate

- Compact laser head with modular design for installation in any orientation
- Separate controller can be easily mounted or stacked and/or stored away minimising footprint requirements

Simple to Use

- The D550+ has a built-in web server that allows all functionality to be controlled remotely via any interface running a standard Java-enabled web browser
- Domino Touchscreen option



Pharmaceutical Option

- Unique user passwords and change reporting
- Validation packages available
- Facilitates adherence to 21-CFR part 11 and GAMP

Main Features

- Modular design for flexible laser head orientations
- Flexible controller for easy mounting and stacking options
- Intuitive Windows® based software
- User friendly remote Domino Touchscreen



Various high quality fonts and mark field options



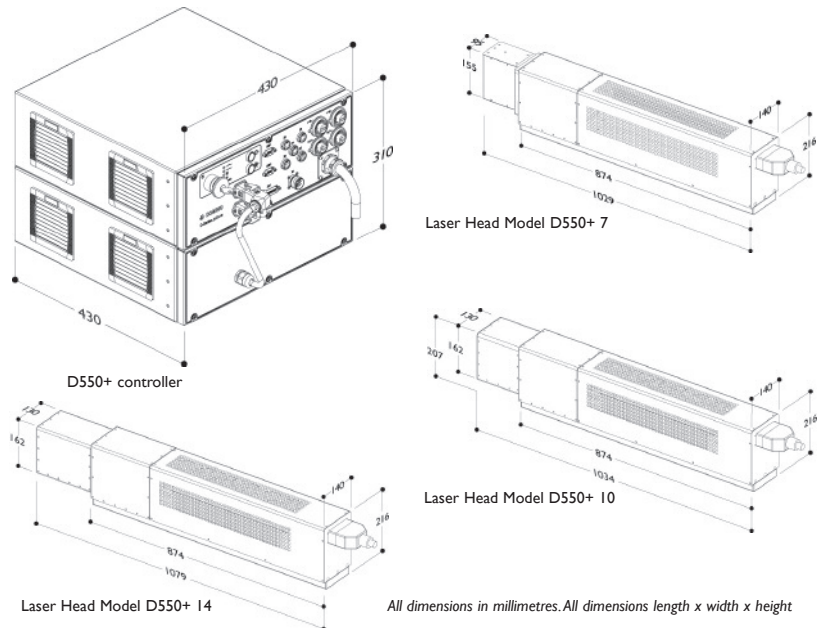
Easy to use intuitive interface

Technical Specifications:

	D550+ 7	D550+ 10	D550+ 14
Laser Type	Sealed-off CO ₂ laser, 30,000 hours MTBF		
Laser Wavelength	typical 10.6µm		
Laser Power	55W		
Marking Features			
Characters per Second	1500*	1000*	350*
Product Line speed	400m/min* 1312ft/min*	305m/min* 1000ft/min*	125m/min* 410ft/min*
Number of Lines of Text	As many as desired*		
Character Height	0.8mm to size of marking field	0.5mm to size of marking field	0.3mm to size of marking field
Fonts	22 fonts, multi-language including full Unicode		
Marking Field & Focal Length	56x56, 76x76mm 80, 120mm	60x60, 120x120, 180x180mm 100, 200, 300mm	60x60, 120x120, 180x180mm 100, 200, 300mm
User Interface	Web Browser-based Graphical User Interface (GUI) (optional Touchscreen available) WYSIWYG entry, control language in English, German, French, Spanish, Dutch, Danish, Polish, Portuguese, Italian, Korean, Russian, Swedish and Chinese (Simplified)		
Operating System	Windows CE		
Laser Head	Stainless steel and aluminium construction		
Weight & Dimensions	31kg 1029 x 140 x 216mm** 68lbs 40.5 x 5.5 x 8.5in	32kg 1034 x 140 x 216mm** 71lbs 40.7 x 5.5 x 8.5in	33kg 1079 x 140 x 216mm** 73lbs 42.5 x 5.5 x 8.5in
Control Cabinet	Stainless steel construction		
Weight & Dimensions	27kg, 430mm x 430mm x 310mm (WxDxH)/ 59lbs 16.9 x 16.9 x 12.2in		
Conduit Length	4.5m (14.8ft), 9m (29.5ft) optional		
Inputs & Outputs			
Product Detect Inputs	NPN / PNP / 24V – Sensor		
Product Speed Detect	Shaft encoder or steady signal		
Signal Inputs			
Signal Outputs	Laser ready, busy signal beacon, fume extractor control		
Interfaces	RS232, Ethernet (10/100 MBit), USB Port		
Touchscreen (optional)	10.4" SVGA full colour touchscreen, 310 x 235 x 80mm (WxDxH), VERSA 75 mounting standard		
Electrical Requirements	88–132V / 170–264V 47–63Hz 1750W		
Environment	Designed for IP54, air cooled (fans)		
Environmental Standard			
Operating Temperature	15° to 38°C (60° to 100°F)		
Operating Humidity	Max. 90% RH, non condensing		
Options			
Touchscreen, User I/O, axial beam output, network and remote control software (TCP / IP), fume extraction shroud			

*Characters per second and production line speeds are substrate and code dependent

**Dimensions measured overall



All dimensions in millimetres. All dimensions length x width x height

D550+/1208

Due to our policy of continuous improvement, specifications are subject to change without notice. E&OE.

UK: Cert. No. FM 13758
BS EN ISO 9001

