

The Domino A200+

The industry standard high performance ink jet coder



Main Features:

High Reliability

- Large volume reservoir based ink system ensures stable performance in any application
- Patented sealed nozzle print head and true autoflush ensure reliable start-ups, even after extended periods of shut down
- Sealed cartridge fluid replenishment.

Connectivity and Flexibility

- Built in Ethernet port enabling printers to be networked
- Built in web server to allow remote message selection and status monitoring
- Ability to set printer-generated email/SMS alerts
- All rasters and print formats on board allowing the machine to be configured from the user interface or via a networked PC
- External USB port for location based set ups, moving messages between printers and service diagnostics
- Print up to four lines with a variety of print formats
- Optional colour touch screen control.



Making More Time for your Business:

- Full control of networked factory printers from the comfort of your desk
- Simplified one-touch on/off button powers up the jet ready to start printing and when pressed to shut down, automatically flushes the head and powers off to ensure the machine is always available
- Prepare/edit messages while the printer is still running to reduce code/product changeover times
- Set up wizards improve accuracy, speed-up installation and allow printer tasks to be optimised for maximum effectiveness.



Optional touch screen control



Ethernet and USB ports as standard

Technical Specification:

A200+

Control Unit

| | |
|----------------------------|--|
| Control Panel: | Membrane touch button or optional 10.4" SVGA colour touch screen |
| Cabinet: | Stainless Steel (304) designed to IP53 (BSEN 60529:1992) |
| Cabinet dimensions: | 245mm x 475mm x 725mm (9.6" x 18.7" x 28.5") |
| Weight: | 36kg (79lbs) |
| Character Control | Auto repeat, Character width and height adjustment, Auto invert/reverse, User defined clock format, Print delay, Sequential/batch numbering, Product counter, Inverse reverse and bold characters, Message repeat. |

Ink System

| | |
|--------------------------------|---|
| Viscosity control: | Automatic |
| Ink bleed control: | Automatic on start up |
| Ink and make-up refill: | 825ml (.87qt) cartridge automatically metered |
| Peltier: | Optional |

Print head

| | |
|------------------------|---|
| Dimensions: | 240mm x 41mm x 47mm (9.45" x 1.61" x 1.85") |
| Conduit length: | 3m (11'8) or 6m (23'6) |
| Positive air: | Optional internal supply |
| Airdryer: | Internal compressor or factory air option |

Environment

| | |
|---------------------------------|--|
| Temperature range: | 5 – 45°C (40 – 112°F) operating |
| Humidity: | 10 – 90% (non-condensing) |
| Electrical requirements: | Single phase, fully auto-ranging 100-250V, 47-63Hz |

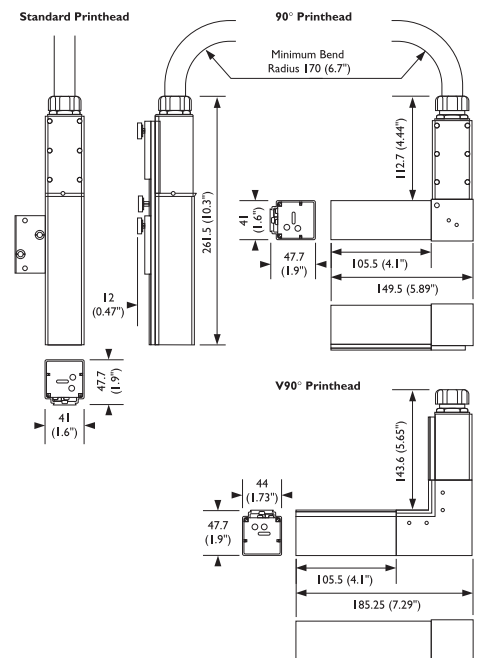
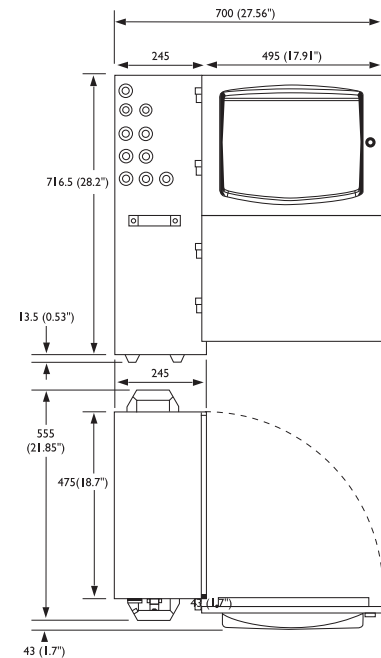
Standard Connections

| | |
|------------------------------------|--|
| Product detector: | nnp/pnp12V 100mA for photocell or proximity detector. IP68 6-way socket |
| Shaft encoder input: | nnp/pnp encoder 12V via IP68 6-way socket |
| Alarm beacon connector: | IP68 7-way socket |
| Auxiliary alarms connector: | IP68 9-way plug |
| Ethernet: | IP68 RJ45 Connector |
| USB1.1: | IP68 USB connector |

Options

| | |
|-----------------------------------|--|
| User port connector: | IP68 25-way socket |
| Data Input/Output Options: | Serial RS232, Rate: 110-38.4k Baud, software configurable, |

| | |
|--------------------|--|
| Accessories | Full range of photocells, stands and bracketry |
|--------------------|--|



A200+/1006

Due to our policy of continuous improvement, specifications are subject to change without notice. E&OE.

UK: Cert. No. FM 13758
BS EN ISO 9001

